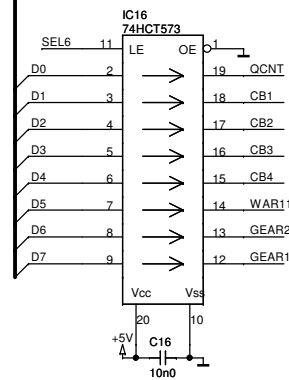
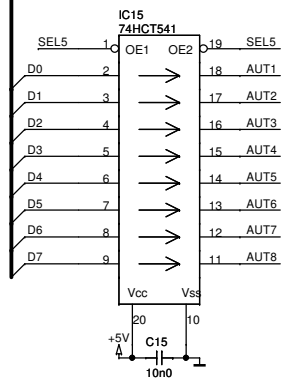
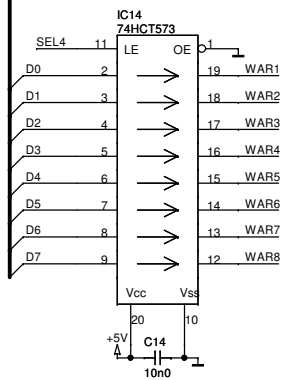
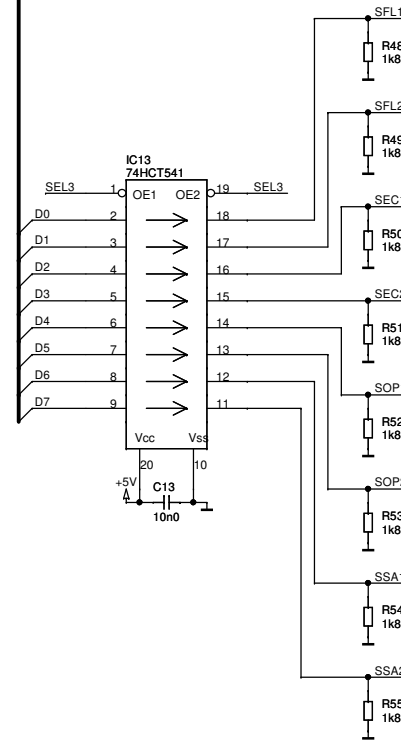
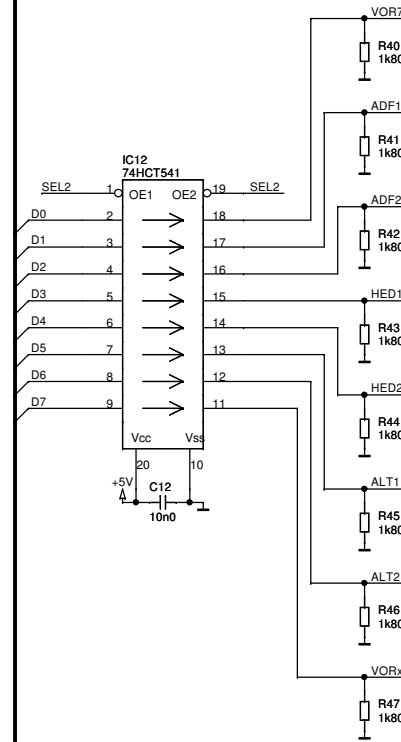
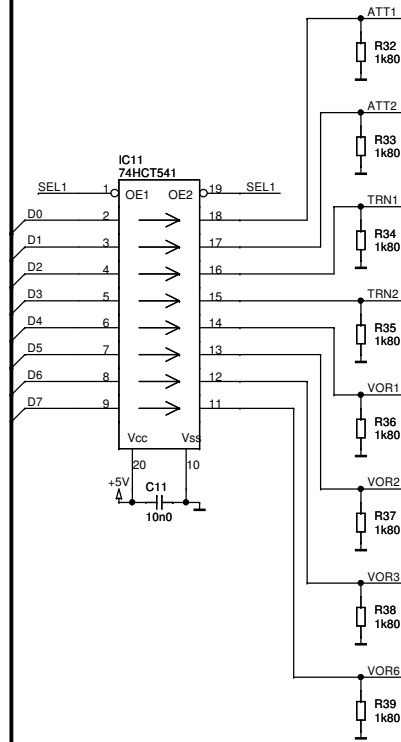
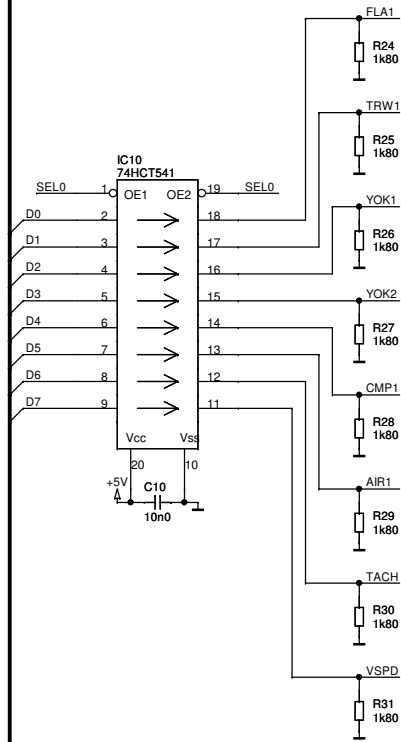
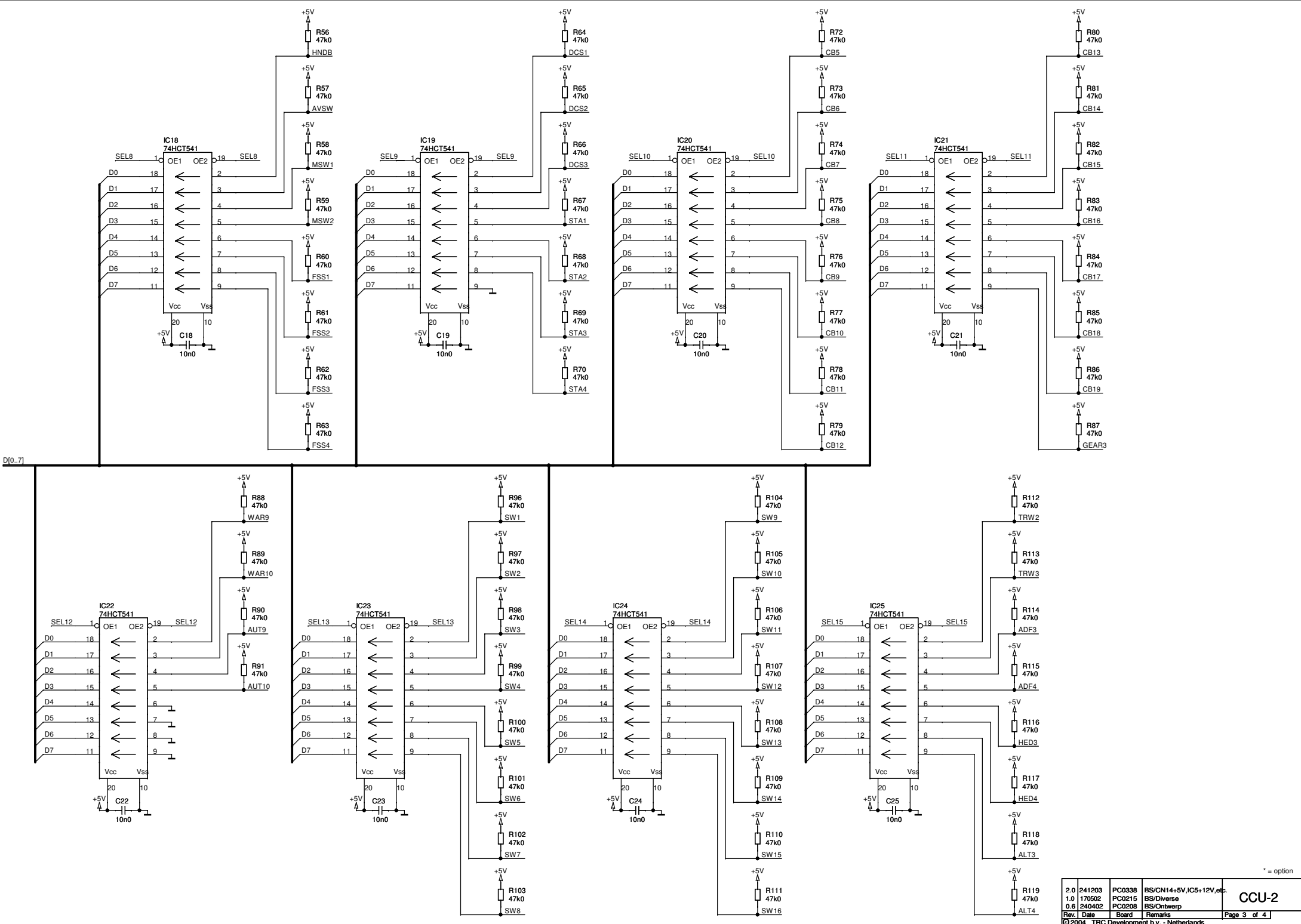


2.0	241203	PC0338	BS/CN14+5V,IC5+12V,e.c.	CCU-2
1.0	170502	PC0215	BS/Diverse	
0.6	240402	PC0208	BS/Ontwerp	
Rev.	Date	Board	Remarks	
© 2004 TRC Development b.v. - Netherlands				Page 1 of 4



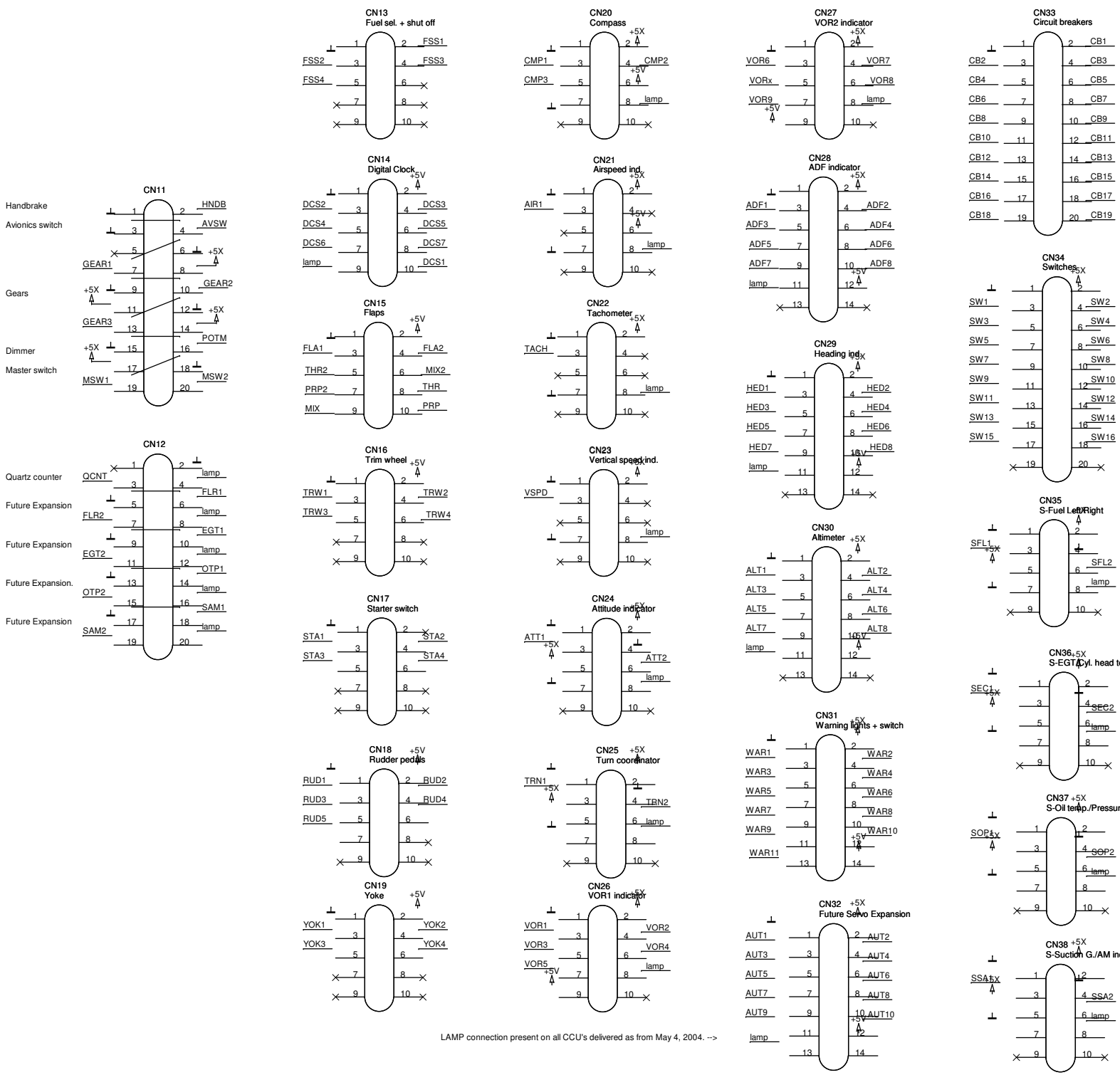
* = option

2.0	241203	PC0338	BS/CN14+5V,IC5+12V,etc.	CCU-2
1.0	170502	PC0215	BS/Diverse	
0.6	240402	PC0208	BS/Ontwerp	
Rev.	Date	Board	Remarks	Page 2 of 4
©2004 TRC Development b.v. - Netherlands				



* = option

2.0	241203	PC0338	BS/CN14+5V,IC5+12V,etc.	CCU-2
1.0	170502	PC0215	BS/Diverse	
0.6	240402	PC0208	BS/Ontwerp	
Rev.	Date	Board	Remarks	Page 3 of 4
©2004 TRC Development b.v. - Netherlands				



Handbrake
Avionics switch
Gears
Dimmer
Master switch

Quartz counter
Future Expansion
Future Expansion
Future Expansion
Future Expansion

LAMP connection present on all CCU's delivered as from May 4, 2004. -->

* = option

2.0	241203	PC0338	BS/CN14+5V,IC5+12V,etc.	CCU-2
1.0	170502	PC0215	BS/Diverse	
0.6	240402	PC0208	BS/Ontwerp	
Rev.	Date	Board	Remarks	Page 4 of 4
© 2004 TRC Development b.v. - Netherlands				